

## Test Exam for Introduction to English Linguistics (answers)

1. a, e

2. a, d

3. c, e

4. a, c, d

5. b, d, e

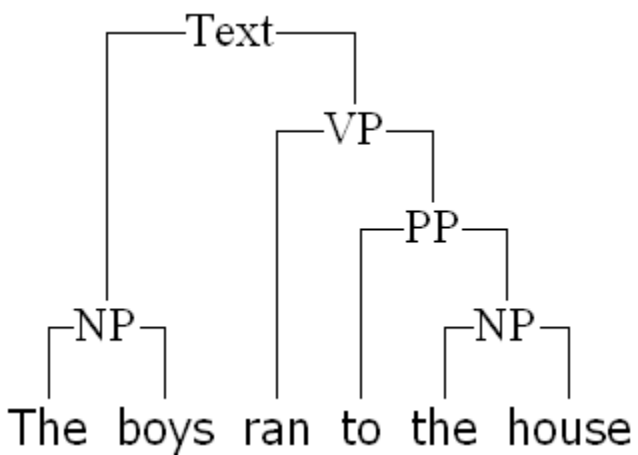
6. a, c, d

7. e

8. b, d

9. c

10.



Purely for illustration here is another way of expressing the phrase structure below, this one using brackets.

NP

[  
  The = Det.  
  boys = N  
]

VP

[  
  ran = V  
  PP  
  [  
    to = P  
    NP  
    [  
      the = Det.  
      house = N  
    ]  
  ]  
]

11. a, d

12. d, e

13. b, c, e

14. b

15. a, b

16. a

17. a, c, d

18. c, d

19. b, c

20.

e.g. William Labov's Martha's Vineyard Study, New York City Study; Milroy's study of Belfast English

21. a, b, c

22. c, d